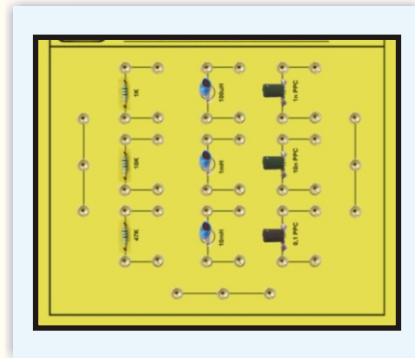




MEASUREMENT OF POWER AND POWER FACTOR IN R-L-C SERIES CIRCUIT MODEL - BA09C

This trainer has been designed with a view to provide practical and experimental knowledge of R-L-C Circuit.



SPECIFICATIONS

1. Power supply requirement : 230V AC, 50 Hz.
2. Following parts provided on Single PCB with connecting terminals.
Different Resistors
Different Inductors (Coils)
Different Capacitors
3. Books for Introduction of Electrical Engineering : 10 Nos in pdf Format
4. The complete circuit diagram should be is screen printed on component side of the PCB with circuit and Parts at the same place. The true value of component is printed on component side.
The PCB with components on front side is fitted in elegant wooden box having lock and key arrangement
The acrylic cover is fitted on PCB to safeguard parts. It has holes for alignment and repair.
The testing points are provided with 1.25" tags to connect CRO probe All Trainers are operated on 230V AC mains and must be self-contained unit.
5. Standard Accessories : User Manual with practical and circuit diagrams.

EXPERIMENTS

1. To Measure power and power factor of RLC Series circuit

Sigma Trainers and Kits
E-113, Jai Ambe Nagar,
Near Udgam School,
Thaltej,
AHMEDABAD - 380054.
INDIA.

Phone(O): +91-79-26852427/ 26850829
Phone(F): +91-79-26767512/ 26767648
Fax : +91-79-26840290/ 26840290
Mobile : +91-9824001168
Email : sales@sigmatrainers.com
: sigmatrainers@sify.com
Web : www.sigmatrainers.com

Dealer:-